

MATRIX

U7xi
U7xe
U5x

U3xe
U3x

R7xi
R7xe
R5x

R3xe
R3x

H7xi
H7xe
H5x

H3xe
H3x



IMPORTANT PRECAUTIONS



SAVE THESE INSTRUCTIONS

- When using Matrix Cycles, basic precautions should always be followed, including the following: Read all instructions before using this equipment. It is the responsibility of the owner to ensure that all users of this equipment are adequately informed of all warnings and precautions.
- This equipment is intended for commercial use. To ensure your safety and protect the equipment, read all instructions before operating.

DANGER!

TO REDUCE THE RISK OF ELECTRICAL SHOCK:

- Always unplug the equipment from the electrical outlet, before cleaning, performing maintenance and putting on or taking off parts.

WARNING!

TO REDUCE THE RISK OF BURNS, FIRE, ELECTRICAL SHOCK OR INJURY TO PERSONS:

- Use this exercise cycle for its intended purpose as described in this manual. Do not use attachments that have not been recommended by the manufacturer.
- Never operate the exercise cycle if it is not working properly, or if it has been damaged. Contact Customer Tech Support or the authorized dealers for examination and repair.
- Do not use the exercise cycle without proper footwear. NEVER operate the exercise cycle with bare feet.
- Do not wear any clothing that might catch on any moving parts of this exercise cycle.
- Keep hands and feet clear at all times from moving parts to avoid injury. Never turn the pedal cranks by hand.
- Do not dismount the exercise cycle until the pedals are at a complete STOP.
- Do not attempt to ride the exercise cycle in a standing position.
- Do not insert any object, hands or feet into any openings, or expose hands, arms or feet to the drive mechanism or other potentially moving part of the exercise cycle.
- Do not use any equipment that is damaged or has worn or broken parts. Use only replacement parts supplied by Customer Tech Support or the authorized dealers.
- Do not operate where aerosol (spray) products are being used or when oxygen is being administered.
- Close supervision is necessary when used near children.
- This equipment is not intended for use by persons with reduced physical, sensory or mental capabilities, or lack of experience and knowledge, unless they have been given supervision or instruction concerning use of the equipment by a person responsible for their safety.
- Ensure that adjustment levers (seat and handlebar fore-and-aft) are properly secured and do not interfere with range of motion during exercise.
- Incorrect or excessive exercise may result in serious injury or death. If you experience any kind of pain, including but not limited to chest pains, nausea, dizziness, or shortness of breath, stop exercising immediately and consult your physician before continuing.
- Do not jump on the unit.
- At no time should more than one person be on unit while in operation.
- This unit should not be used by persons weighing more than specified in the OWNER'S MANUAL SPECIFICATIONS SECTION. Failure to comply will void the warranty.
- Keep power cord away from heated surfaces. Do not carry this unit by its supply cord or use the cord as a handle.
- Do not use other attachments that are not recommended by the manufacturer. Attachments may cause injury.
- Use the unit only as described in the unit guide and owner's manual.
- Disconnect all power before servicing or moving the equipment. To clean, wipe surfaces down with soap and slightly damp cloth only; never use solvents. (See MAINTENANCE)
- At NO time should pets or children under the age of 14 be closer to the unit than 10 feet.
- At NO time should children under the age of 14 use the unit.
- Children over the age of 14 should not use the unit without adult supervision.
- Never operate the unit if it has a damaged cord or plug, if it is not working properly, if it has been dropped or damaged, or immersed in water. Return the unit to a service center for examination and repair.
- To disconnect, turn all controls to the off position, then remove plug from outlet.
- Do not remove the console covers unless instructed by Customer Tech Support. Service should only be done by an authorized service technician.
- Heart rate monitoring systems may be inaccurate.

CAUTION!

CONSULT A PHYSICIAN BEFORE USING THIS EQUIPMENT. READ OWNER'S MANUAL BEFORE USE.

- It is essential that this equipment is used only indoors, in a climate controlled room. If this equipment has been exposed to colder temperatures or high moisture climates, it is strongly recommended that the equipment is warmed up to room temperature and allowed time to dry out before first time use.



POWER REQUIREMENTS

DEDICATED CIRCUIT AND ELECTRICAL INFO

A "Dedicated Circuit" means that each outlet you plug into should not have anything else running on that same circuit. The easiest way to verify this is to locate the main circuit breaker box, and turn off the breaker(s) one at a time. Once a breaker has been turned off, the only thing that should not have power to it are the units in question. No lamps, vending machines, fans, sound systems, or any other item should lose power when you perform this test.

Non-looped (isolated) neutral/grounding means that each circuit must have an individual neutral/ground connection coming from it, and terminating at an approved earth ground. You cannot "jumper" a single neutral/ground from one circuit to the next.

ELECTRICAL REQUIREMENTS

For your safety and to ensure good unit performance, the ground on this circuit must be non-looped (isolated). Please refer to NEC article 210-21 and 210-23. Any alterations to the standard power cord provided could void all warranties of this product.

The 3x, 3xe, 5x, 7xe and 7xi cycles are designed to be self-powered and do not require an external power supply source to operate. Without an external power supply, the console's start-up time may be delayed. Add-on TV's and other console accessories will increase the time needed for start-up. An external power supply will ensure power is provided to the console at all times and is recommended when add-on accessories are used.

For units with an integrated TV (like the 3xe, 7xe and 7xi), the TV power requirements are included in the unit. An RG6 quad shield coaxial cable with 'F Type' compression fittings on each end will need to be connected to the cardio unit and the video source. Additional power requirements are not needed for the add-on digital TV (3x and 5x). For units with an add-on PCTV (3x and 5x), the TV power requirements are separate.

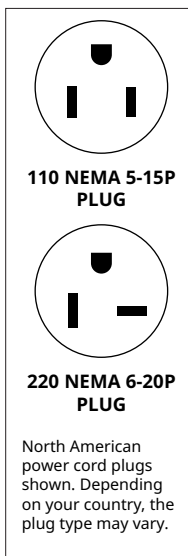
NOTE: All units with Virtual Active™ must be powered.

110 V UNITS

All Matrix 110 V cycles require the use of a 100-125 V, 60 Hz and a 15 A "Dedicated Circuit", with a non-looped (isolated) neutral/ground for power. These cycles can be daisy-chained together with up to 4 units per 15 A circuit. This outlet should be a NEMA 5-15R and have the same configuration as the plug. No adapter should be used with this product. Matrix daisy-chain cord adapters are sold separately.

220 V UNITS

All Matrix 220 V cycles require the use of a 216-250 V, 50 Hz and a 15 A "Dedicated Circuit", with a non-looped (isolated) neutral/ground



for power. These cycles can be daisy-chained together with up to 4 units per 15 A circuit. This outlet should be a NEMA 6-20R and have the same configuration as the plug. No adapter should be used with this product. Matrix daisy-chain cord adapters are sold separately.

GROUNDING INSTRUCTIONS

The unit must be grounded if connected to a power supply source. If it should malfunction or breakdown, grounding provides a path of least resistance for electric current to reduce the risk of electric shock. The unit is equipped with a cord having an equipment-grounding conductor and a grounding plug. The plug must be plugged into an appropriate outlet that is properly installed and grounded in accordance with all local codes and ordinances. If the user does not follow these grounding instructions, the user could void the Matrix limited warranty.

ADDITIONAL ELECTRICAL INFO

In addition to the dedicated circuit requirement, the proper gauge wire must be used from the circuit breaker box, to each outlet that will have the maximum number of units running off of it. If the distance from the circuit breaker box to each outlet, is 100 ft (30.5 m) or less, then 12 gauge wire should be used. For distances greater than 100 ft (30.5 m) from the circuit breaker box to the outlet, a 10 gauge wire should be used.

ENERGY SAVING / LOW-POWER MODE

All units are configured with the ability to enter into an energy saving / low-power mode when the unit has not been in use for a specified period of time. Additional time may be required to fully reactivate this unit once it has entered the low-power mode. This energy saving feature may be enabled or disabled from within the 'Manager Mode' or 'Engineering Mode.'

ADD-ON PCTV (3X AND 5X)

A 15 A or 20 A "Dedicated Circuit" with a non-looped (isolated) neutral/ground is required. Each PCTV requires at least 1.2 A of current. No more than 12 PCTVs should be used for each 15 A circuit and no more than 16 PCTVs should be used for each 20 A circuit. The power outlet should have the same configuration as the plug. No adapter should be used with this product. An

RG6 coaxial cable with 'F Type' compression fittings will need to be connected between the video source and each add-on PCTV unit.

ADD-ON DIGITAL TV (3X AND 5X)

Additional power requirements are not needed for the add-on digital TV. An RG6 coaxial cable with 'F Type' compression fittings will need to be connected between the video source and each add-on digital TV unit.

WARNING!

- Connect this exercise product to a properly grounded outlet only.
- Never operate product with a damaged cord or plug even if it is working properly. Never operate any product if it appears damaged, or has been immersed in water. Contact Customer Tech Support for replacement or repair.

Failure to follow these specifications can cause damage to your product and can void the warranty:

- All video and power outlets must be functional the day of delivery / assembly of the product. The client is responsible for any additional installation charges associated with return visits.
- Electrical supply may fluctuate in your area. To ensure stable performance of the product, use the proper gauge wire.

DANGER!

Improper connection of the equipment-grounding conductor can result in a risk of electric shock. Check with a qualified electrician or serviceman if you are in doubt as to whether the product is properly grounded. Do not modify the plug provided with the product. If it will not fit the outlet, have a proper outlet installed by a qualified electrician.

ASSEMBLY

UNPACKING

Unpack the equipment where you will be using it. Place the carton on a level flat surface. It is recommended that you place a protective covering on your floor. Never open box when it is on its side.

IMPORTANT NOTES

During each assembly step, ensure that ALL nuts and bolts are in place and partially threaded.

Several parts have been pre-lubricated to aid in assembly and usage. Please do not wipe this off. If you have difficulty, a light application of lithium grease is recommended.

WARNING!

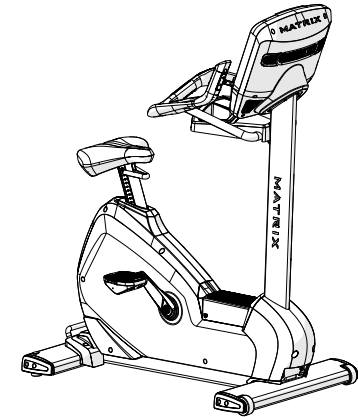
There are several areas during the assembly process that special attention must be paid. It is very important to follow the assembly instructions correctly and to make sure all parts are firmly tightened. If the assembly instructions are not followed correctly, the equipment could have parts that are not tightened and will seem loose and may cause irritating noises. To prevent damage to the equipment, the assembly instructions must be reviewed and corrective actions should be taken.

NEED HELP?

If you have questions or if there are any missing parts, contact Customer Tech Support. Contact information is located on the information card.

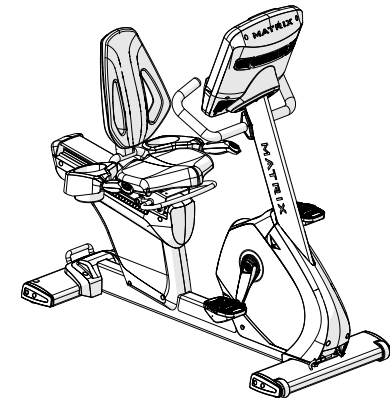
Upright Cycles

Page
8



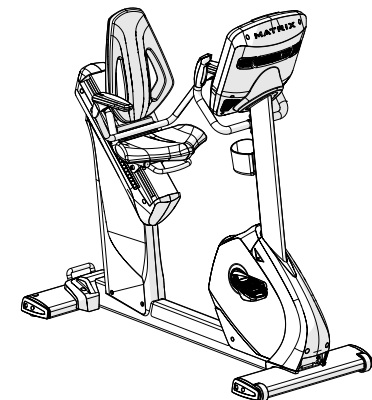
Recumbent Cycles

Page
12



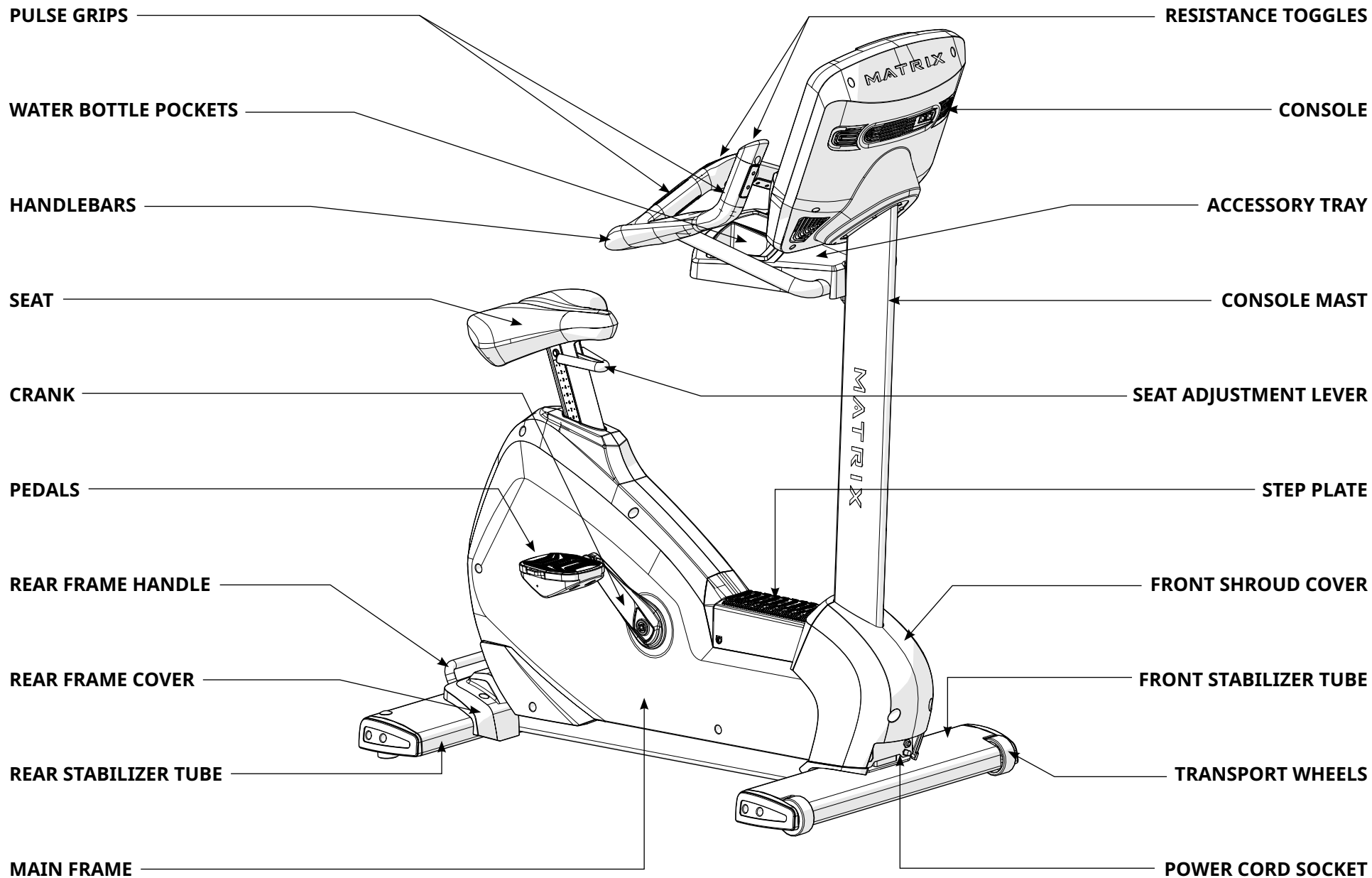
Hybrid Cycles

Page
17





U7xi
U7xe
U5x
U3xe
U3x



Upright Cycle Assembly

TOOLS REQUIRED:

- 4 mm Allen Wrench
- 6 mm Allen Wrench
- 8 mm Allen Wrench
- Flat Wrench (15mm/17mm 325L)
- Phillips Screwdriver

PARTS INCLUDED:

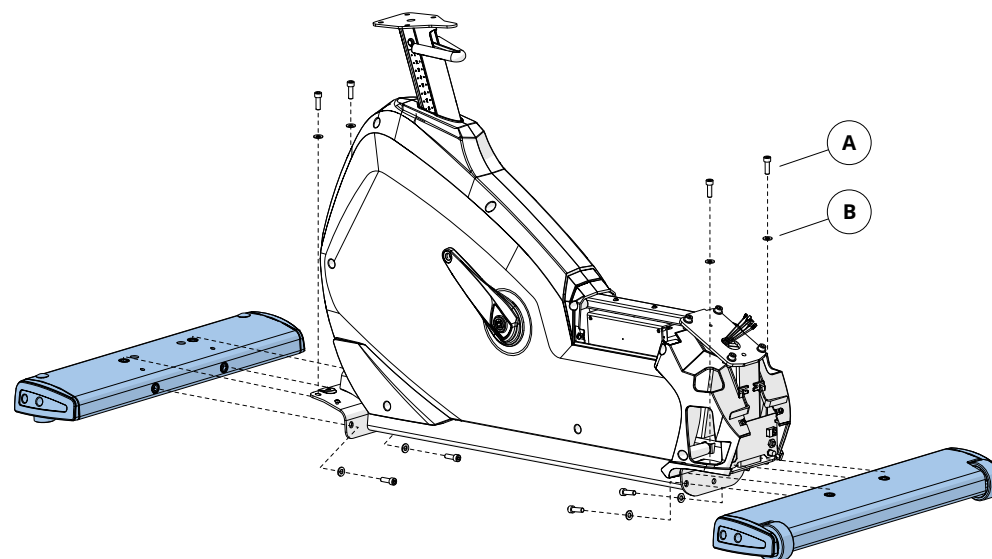
- 1 Main Frame
- 1 Rear Stabilizer Tube
- 1 Front Stabilizer Tube
- 1 Rear Frame Handle
- 1 Rear Frame Cover
- 1 Console Mast
- 1 Seat
- 1 Arm Rest Handlebars
- 1 Front Shroud Cover
- 1 Pulse Grip Handlebars
- 2 Pedals
- 1 Hardware Kit
- 1 Power Cord
(included with 3xe, 7xe, and 7xi console)

Console sold separately

1

Yellow Hardware Bag

Description	Qty
A Bolt	8
B Flat Washer	8



U7xi
U7xe
U5x
U3xe
U3x

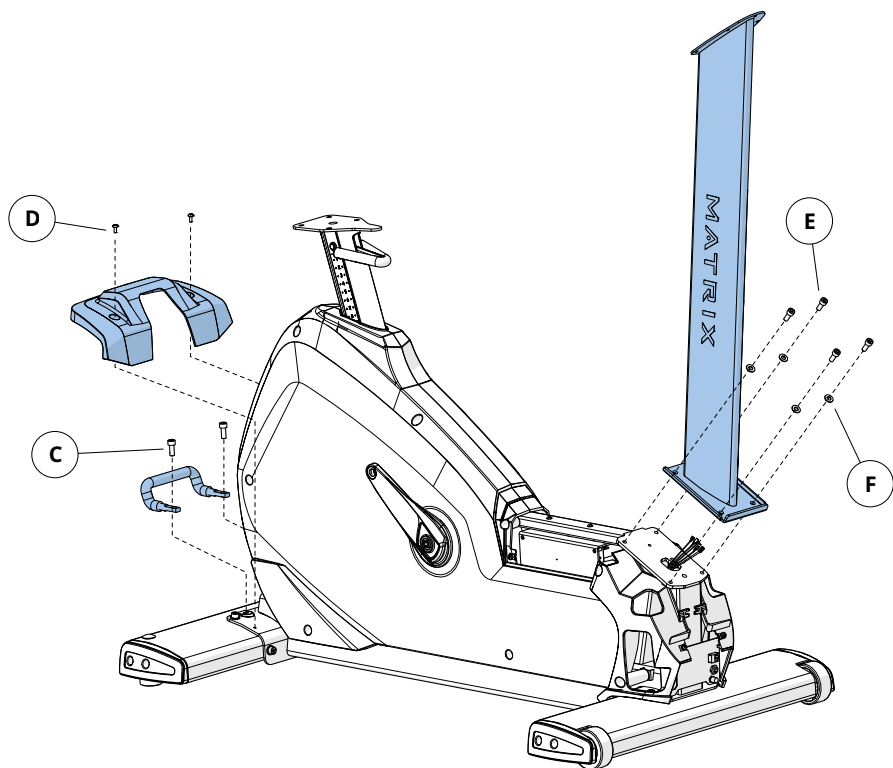


2

Black / Red Hardware Bags

Description	Qty
C Bolt (black)	2
D Screw	2
E Bolt (chrome)	4
F Tooth Washer	4

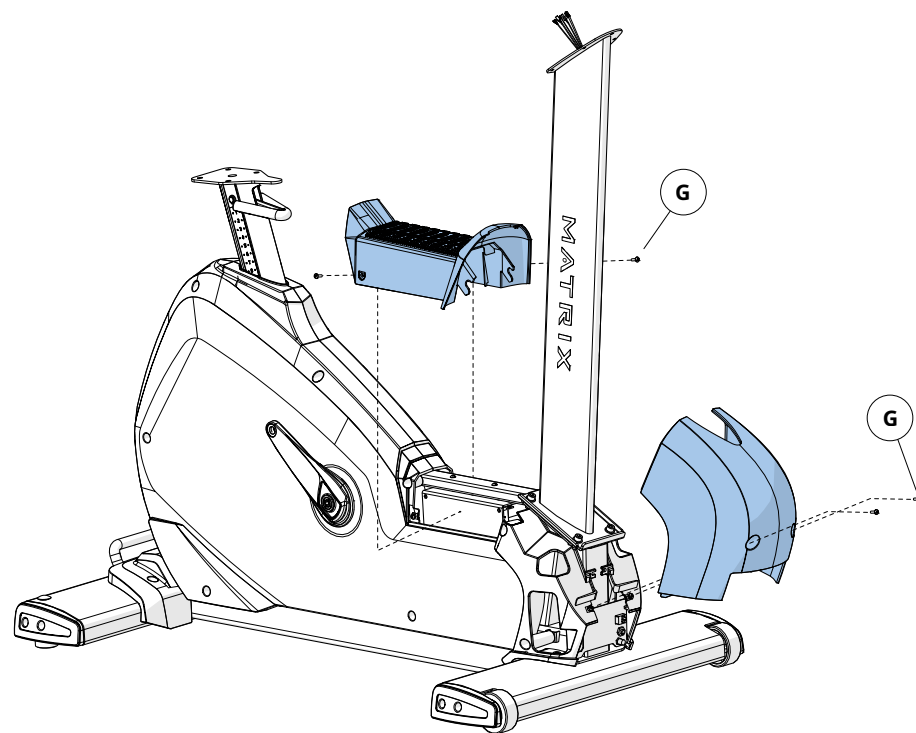
U7xi
U7xe
U5x
U3xe
U3x



3

Green Hardware Bag

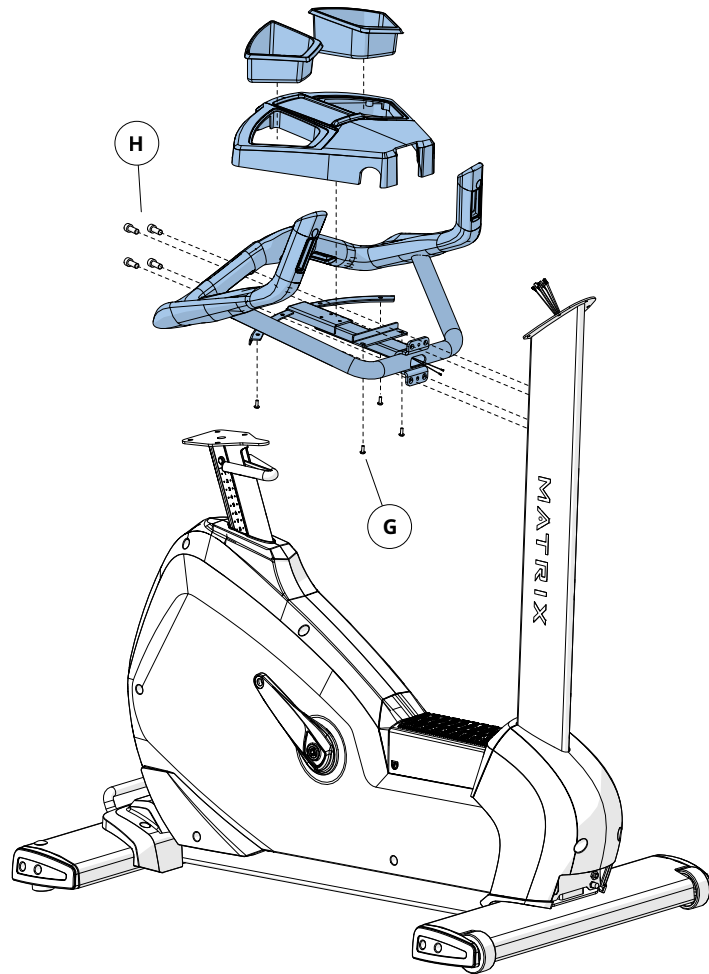
Description	Qty
G Screw	4



4

White / Green Hardware Bags

Description	Qty
G Screw	4
H Bolt	4



5

Purple Hardware Bag

Description	Qty
A Bolt	4
I Spring Washer	4

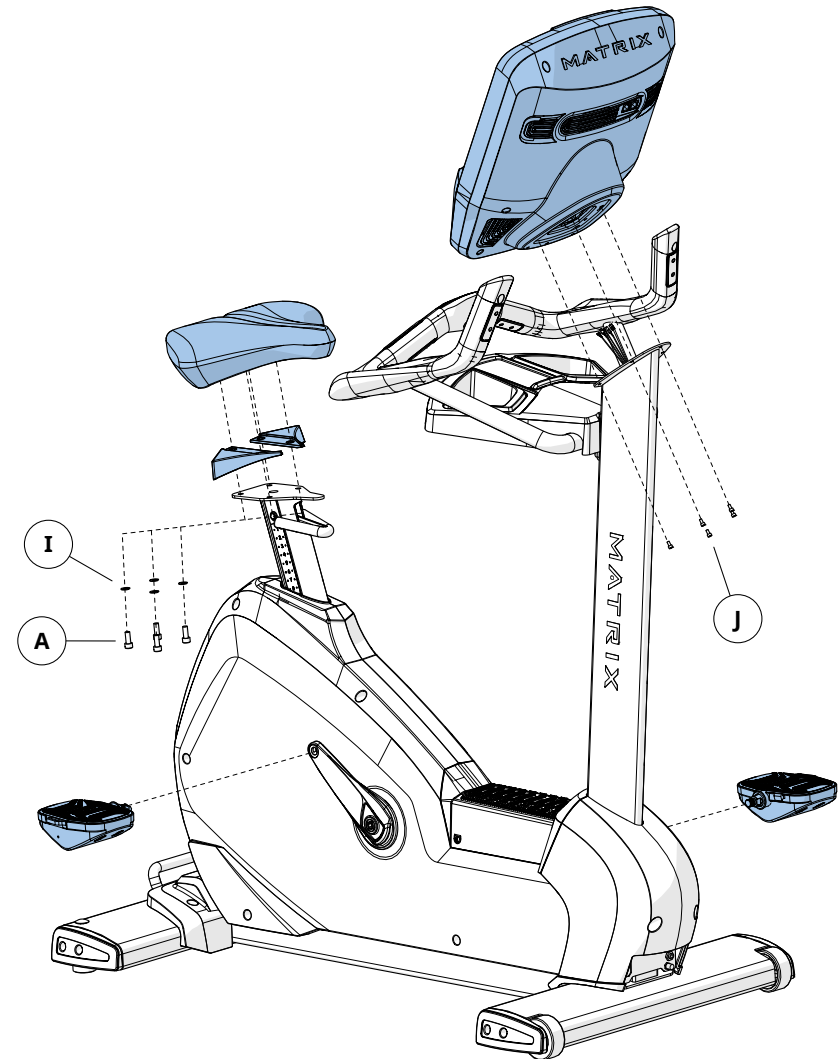
Pre-Installed Hardware

Description	Qty
J Bolt	4

ASSEMBLY COMPLETE!

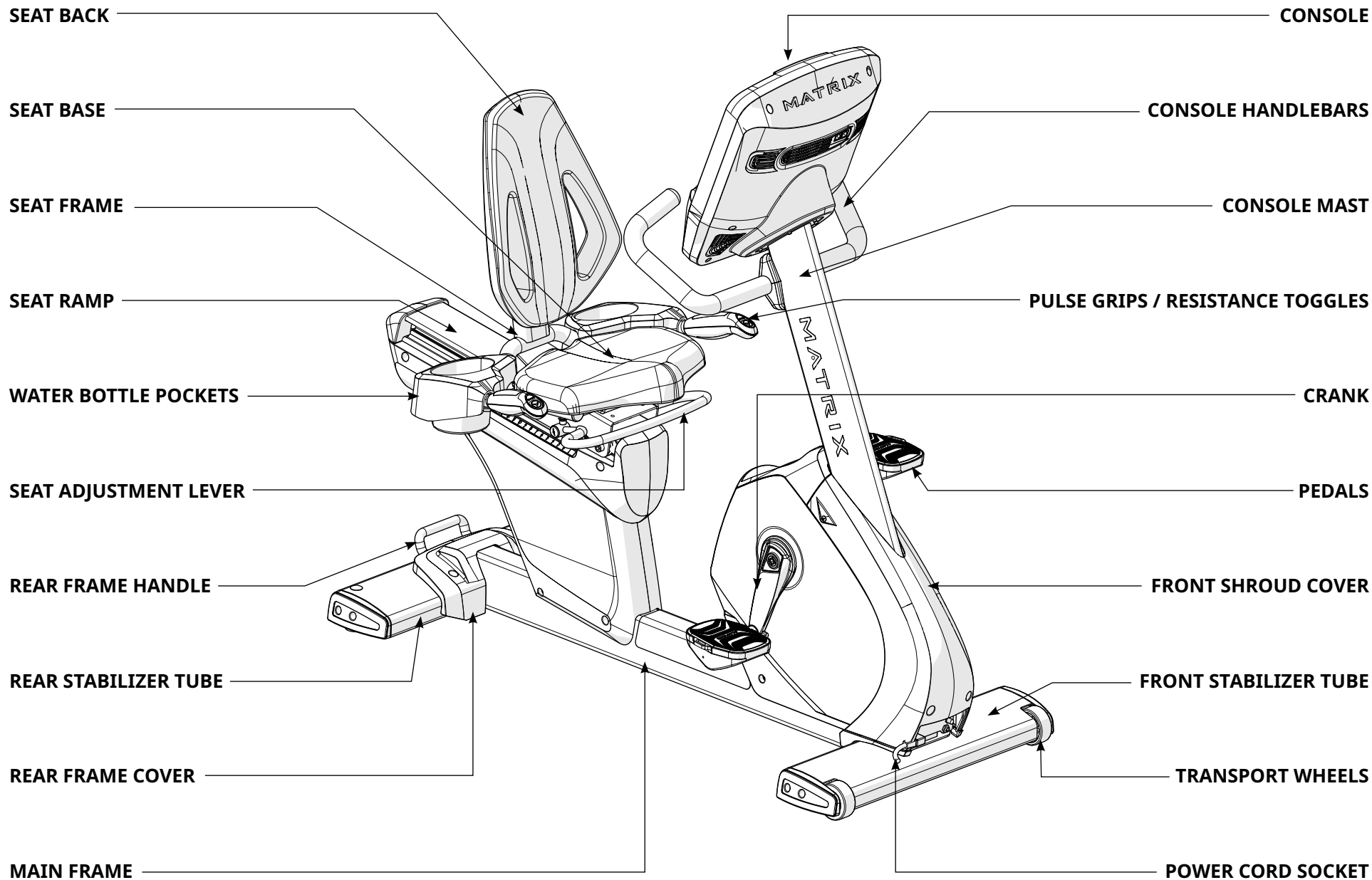


U7xi
U7xe
U5x
U3xe
U3x





R7xi
R7xe
R5x
R3xe
R3x



Recumbent Cycle Assembly

TOOLS REQUIRED:

- 4 mm Allen Wrench
- 6 mm Allen Wrench
- Flat Wrench (15mm/17mm 325L)
- Phillips Screwdriver

PARTS INCLUDED:

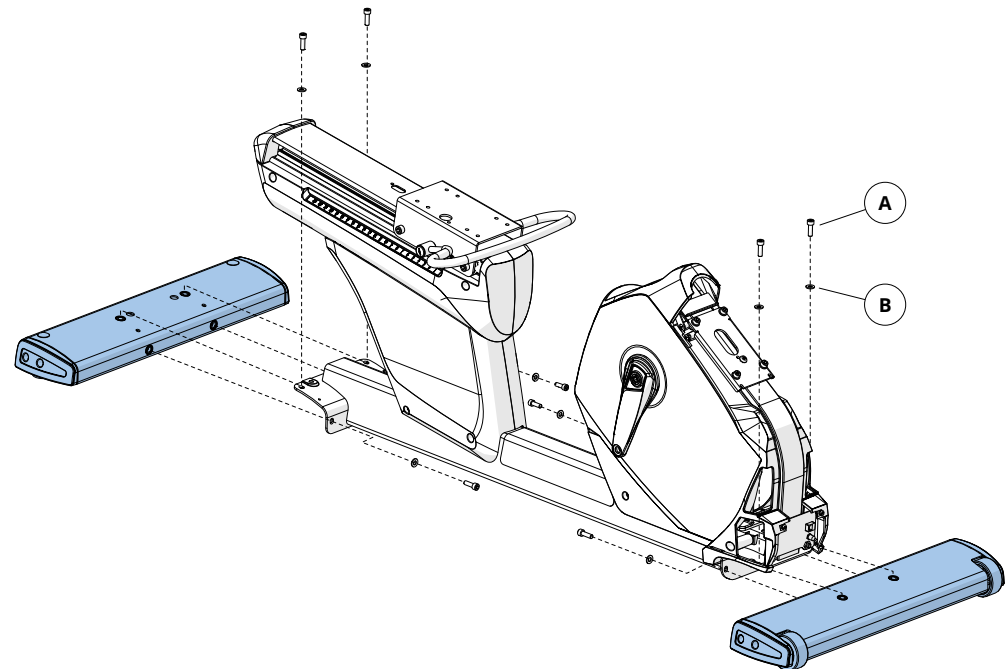
- 1 Main Frame
- 1 Rear Stabilizer Tube
- 1 Front Stabilizer Tube
- 1 Rear Frame Handle
- 1 Rear Frame Cover
- 1 Console Mast
- 1 Console Handlebars
- 1 Front Shroud Cover
- 1 Seat Frame
- 2 Water Bottle Pockets
- 1 Seat Base
- 1 Seat Back
- 2 Pedals
- 1 Hardware Kit
- 1 Power Cord
(included with 3xe, 7xe, and 7xi console)

Console sold separately

1

Yellow Hardware Bag

	Description	Qty
A	Bolt	8
B	Flat Washer	8



R7xi
R7xe
R5x
R3xe
R3x

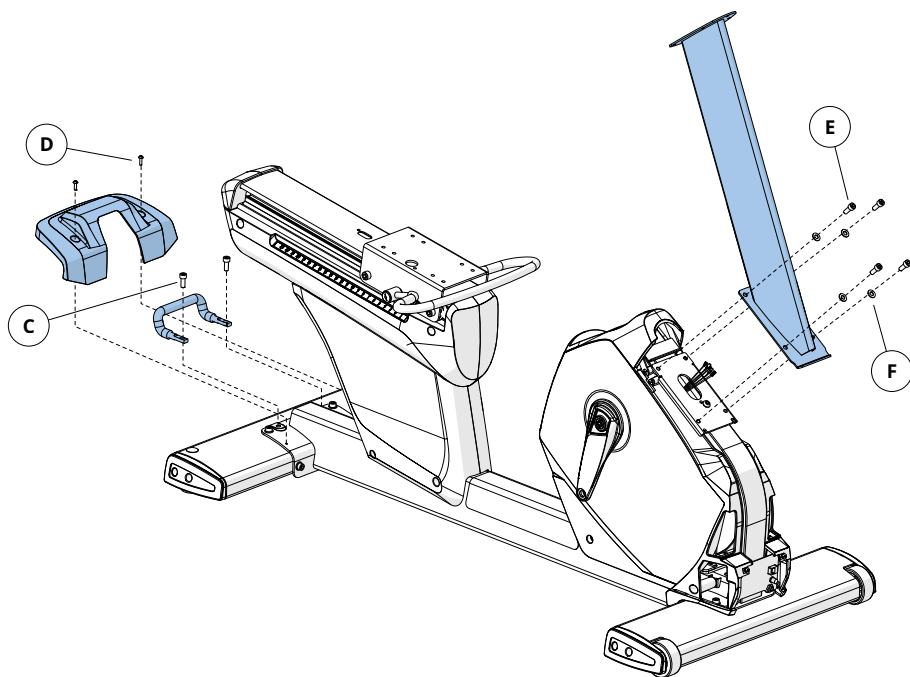


2

Black / Red Hardware Bags

Description	Qty
C Bolt (black)	2
D Screw	2
E Bolt (chrome)	4
F Tooth Washer	4

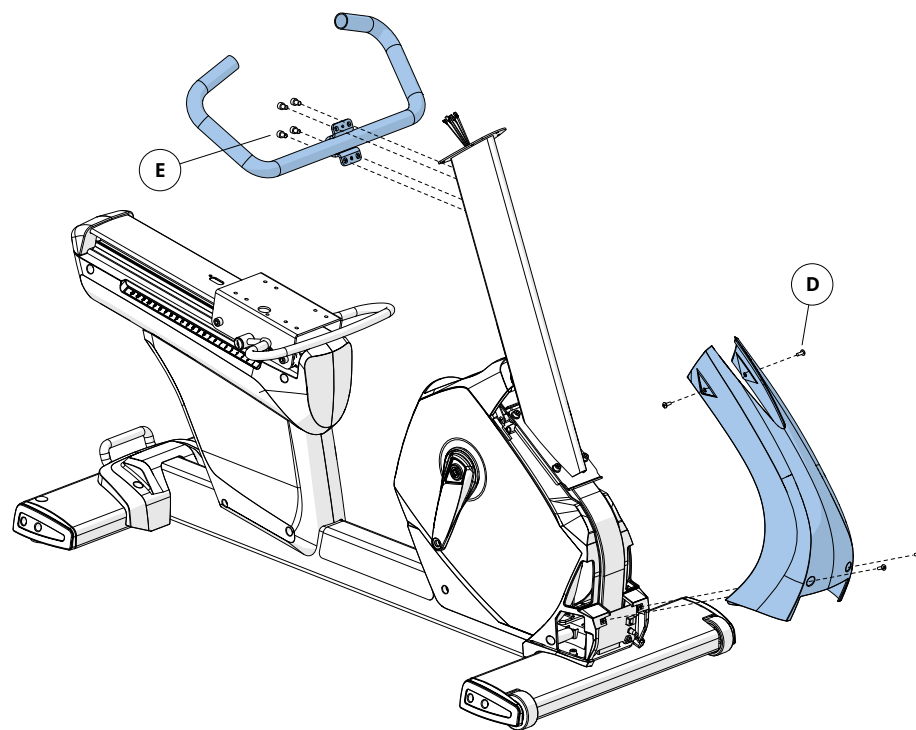
R7xi
R7xe
R5x
R3xe
R3x



3

White / Green Hardware Bags

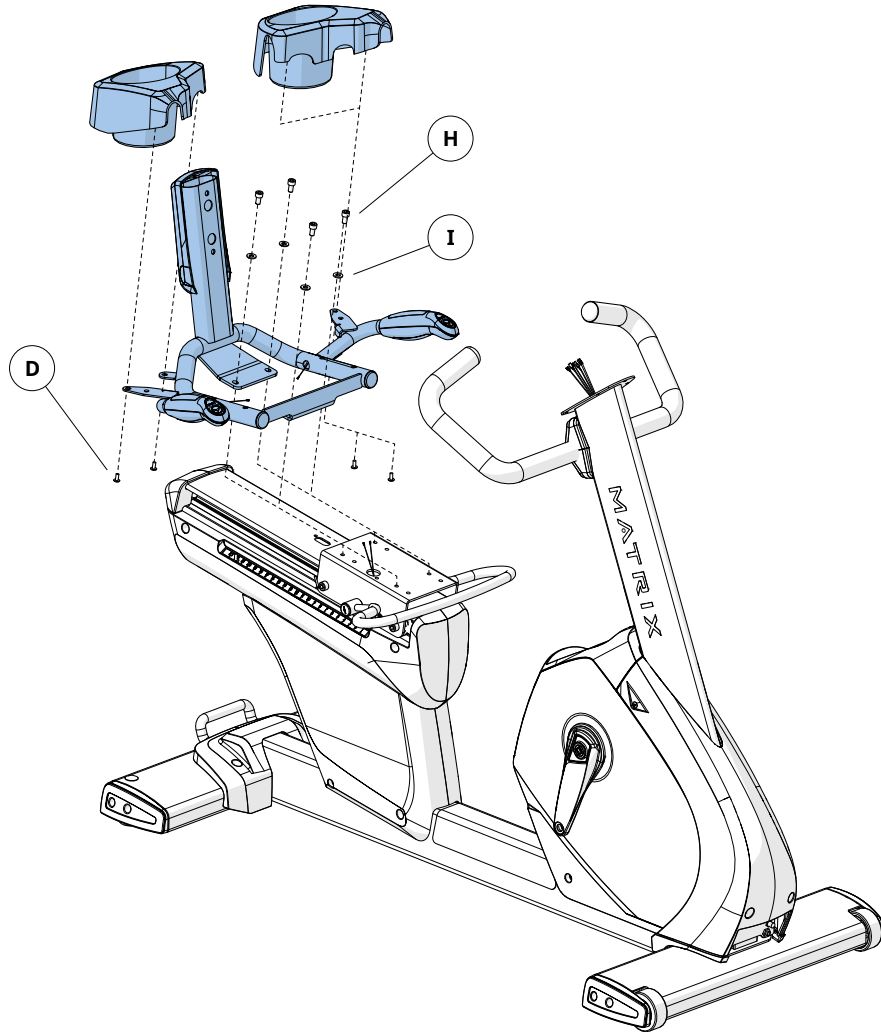
Description	Qty
G Bolt	4
D Screw	4



4

Pink / Blue Hardware Bags

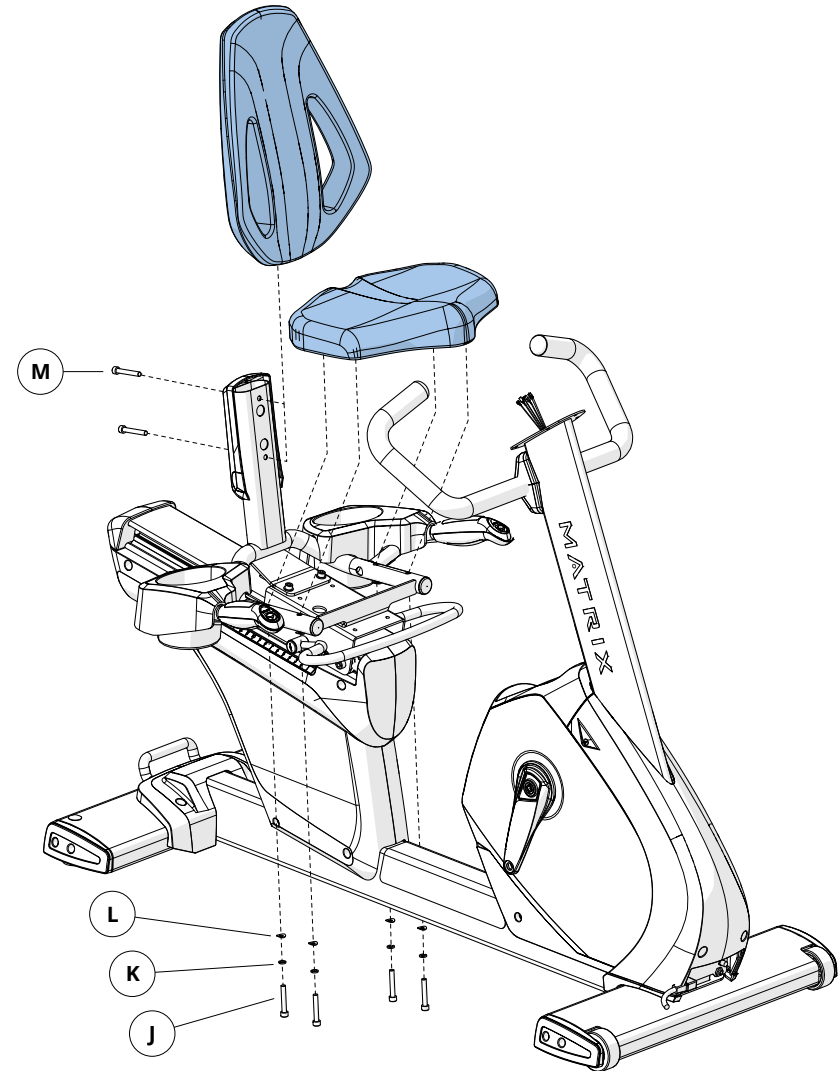
Description	Qty
D Screw	4
H Bolt	4
I Spring Washer	4



5

Purple / Orange Hardware Bag

Description	Qty
J Bolt	4
K Spring Washer	4
L Wavy Washer	4
M Bolt	2



R7xi
R7xe
R5x
R3xe
R3x



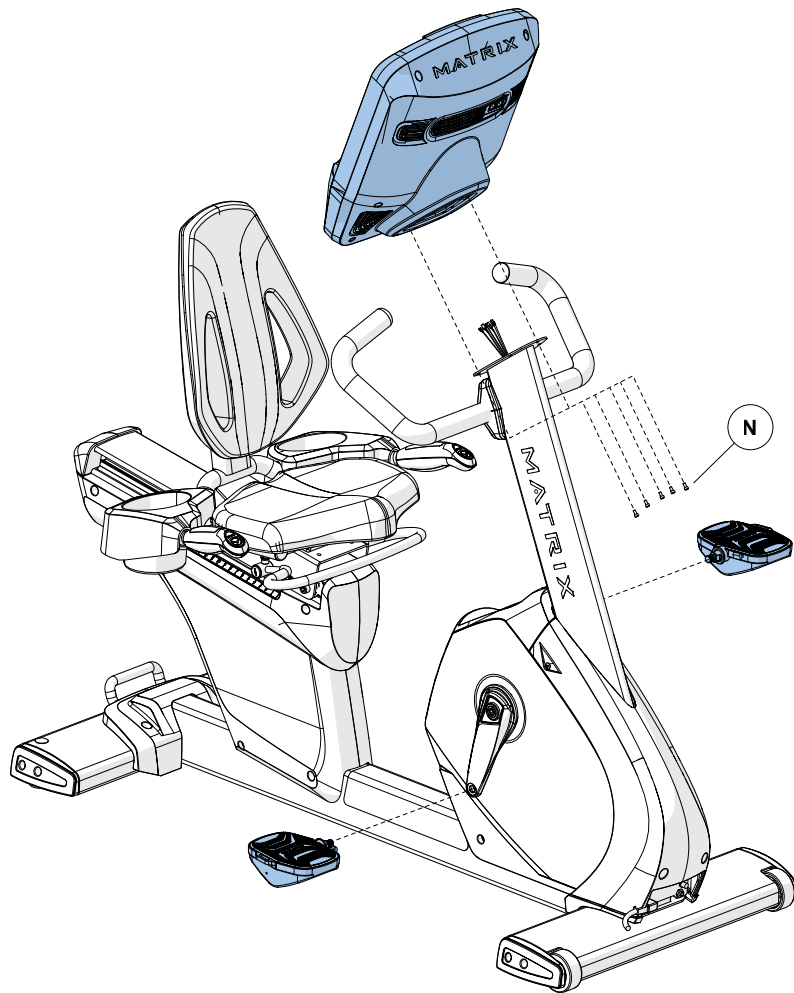
6

Pre-Installed Hardware

Description	Qty
N Bolt	4

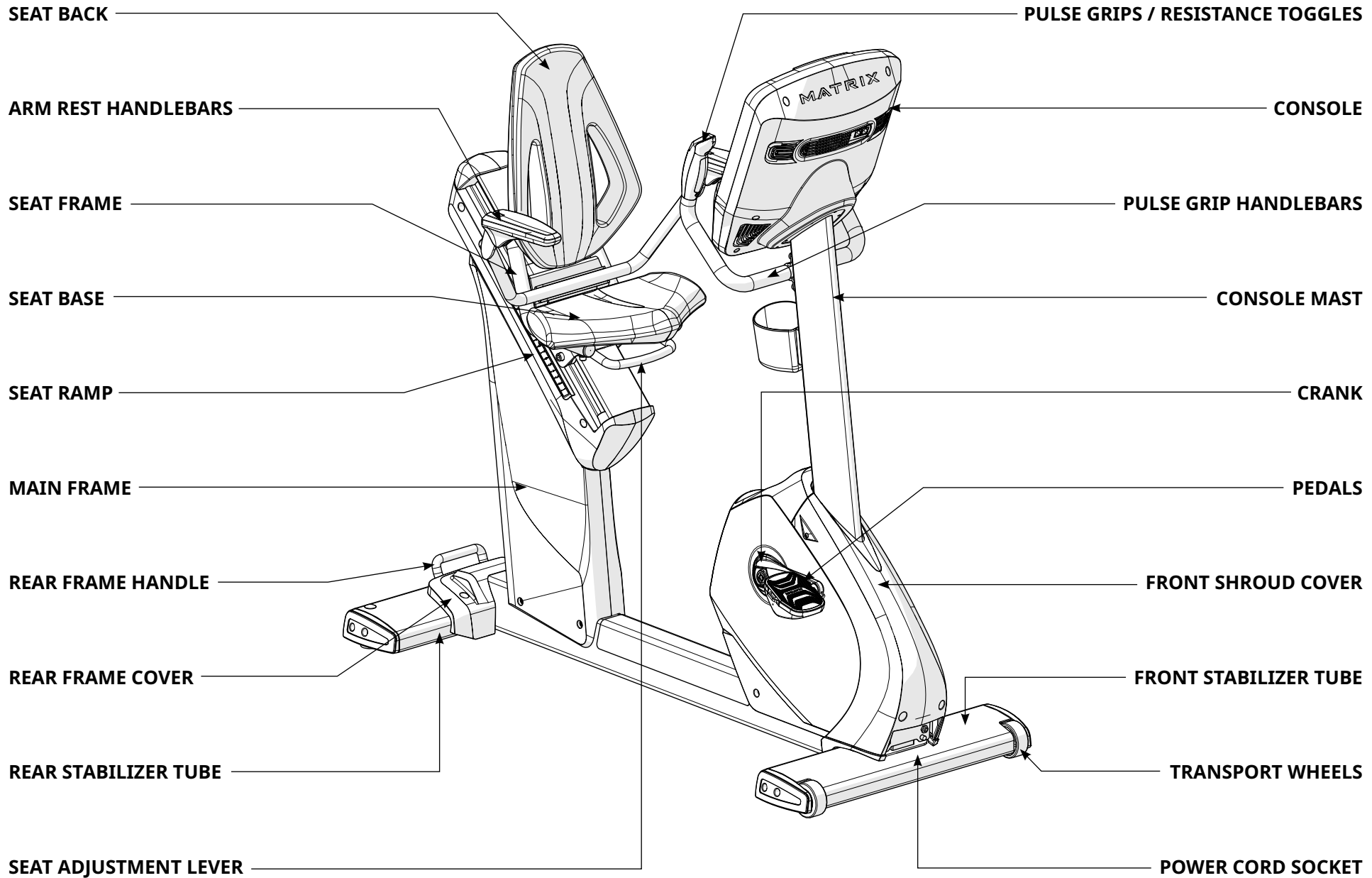
ASSEMBLY COMPLETE!

R7xi
R7xe
R5x
R3xe
R3x





H7xi
H7xe
H5x
H3xe
H3x





Hybrid Cycle Assembly

H7xi
H7xe
H5x
H3xe
H3x

TOOLS REQUIRED:

- 4 mm Allen Wrench
- 6 mm Allen Wrench
- 8 mm Allen Wrench
- Flat Wrench (15mm/17mm 325L)
- Phillips Screwdriver

PARTS INCLUDED:

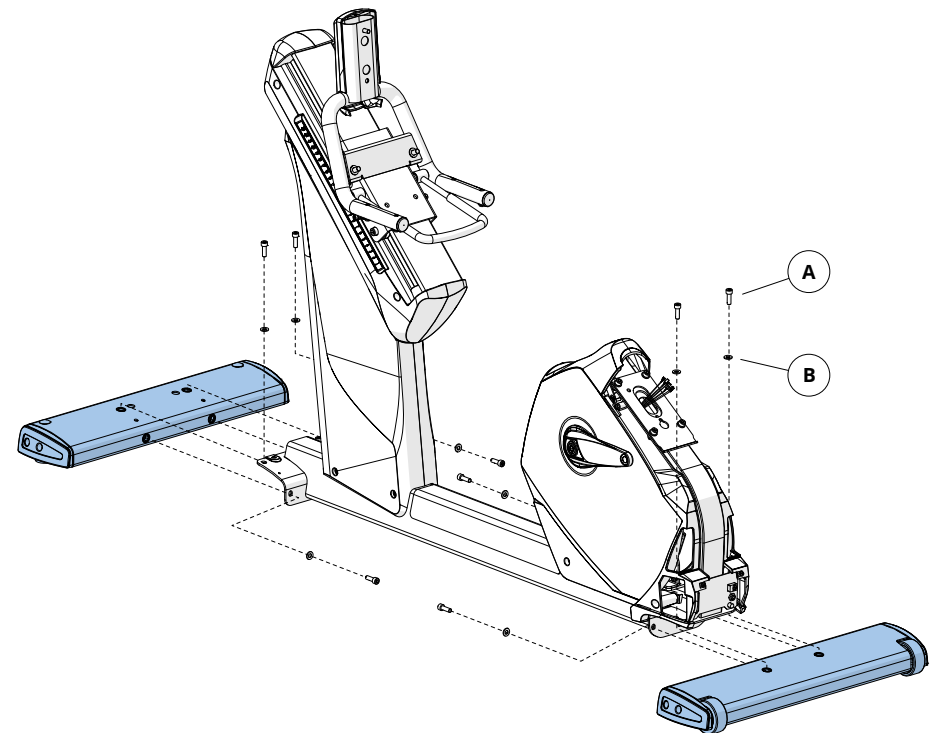
- 1 Main Frame
- 1 Rear Stabilizer Tube
- 1 Front Stabilizer Tube
- 1 Rear Frame Handle
- 1 Rear Frame Cover
- 1 Console Mast
- 1 Seat Back
- 1 Seat Base
- 1 Arm Rest Handlebars
- 1 Front Shroud Cover
- 1 Pulse Grip Handlebars
- 2 Pedals
- 1 Hardware Kit
- 1 Power Cord
(included with 3xe, 7xe, and 7xi console)

Console sold separately

1

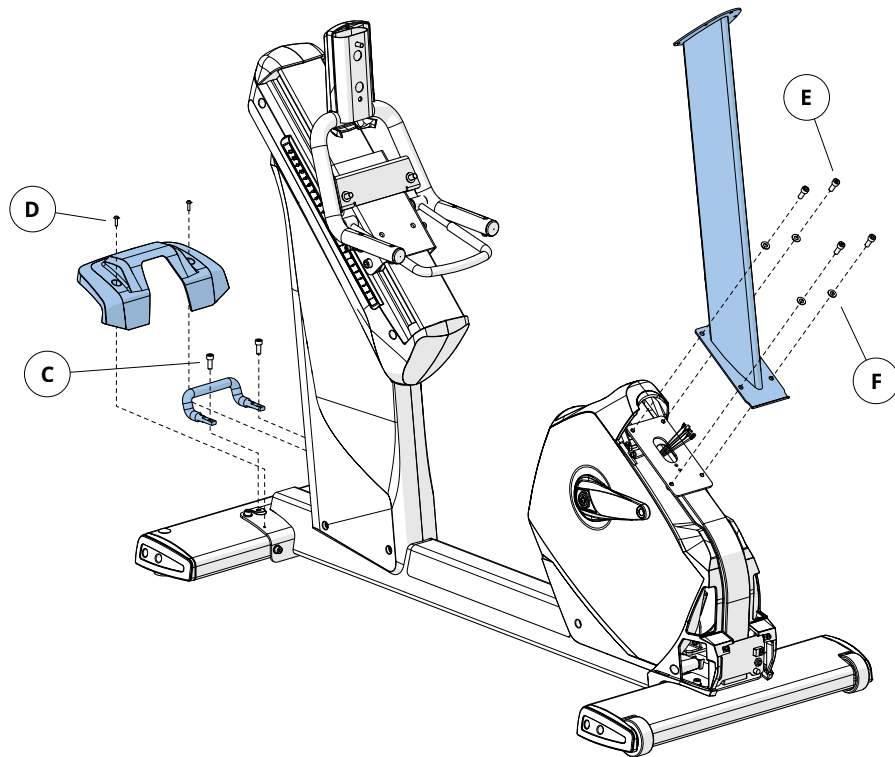
Yellow Hardware Bag

	Description	Qty
A	Bolt	8
B	Flat Washer	8

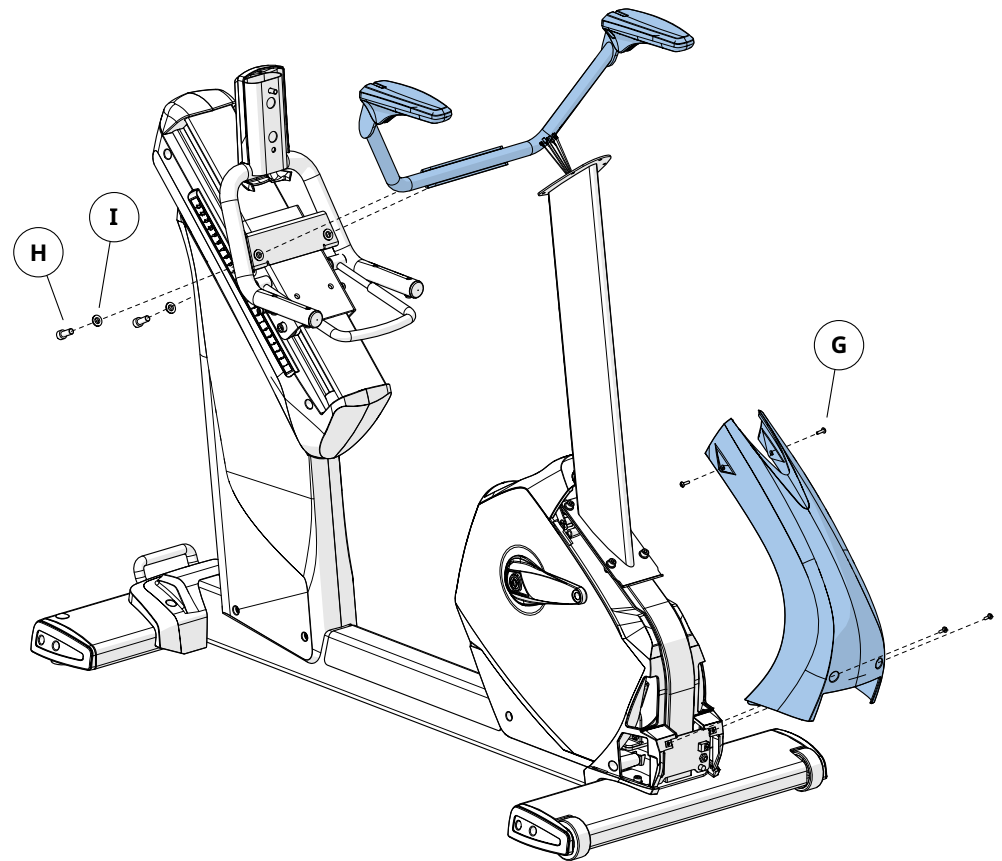


2**Black / Red Hardware Bags**

Description	Qty
C Bolt (black)	2
D Screw	2
E Bolt (chrome)	4
F Tooth Washer	4

**3****Green / Blue Hardware Bag**

Description	Qty
G Screw	4
H Bolt	2
I Heavy Washer	2



H7xi
H7xe
H5x
H3xe
H3x

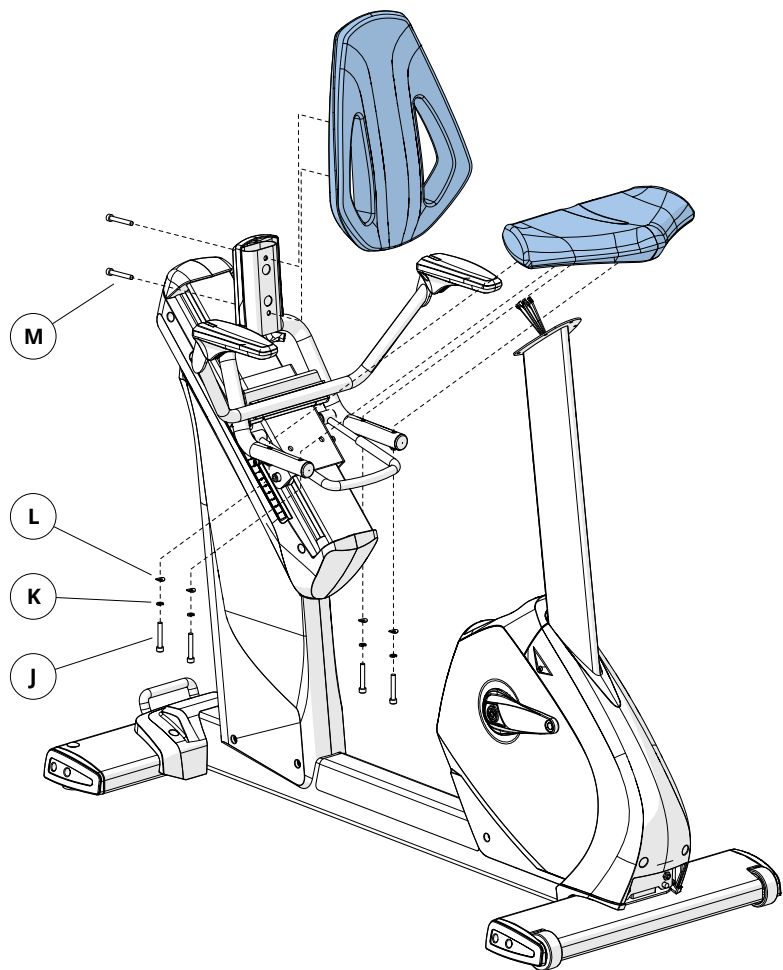


4

Purple / Orange Hardware Bags

Description	Qty
J Bolt	4
K Spring Washer	4
L Wavy Washer	4
M Bolt	2

H7xi
H7xe
H5x
H3xe
H3x

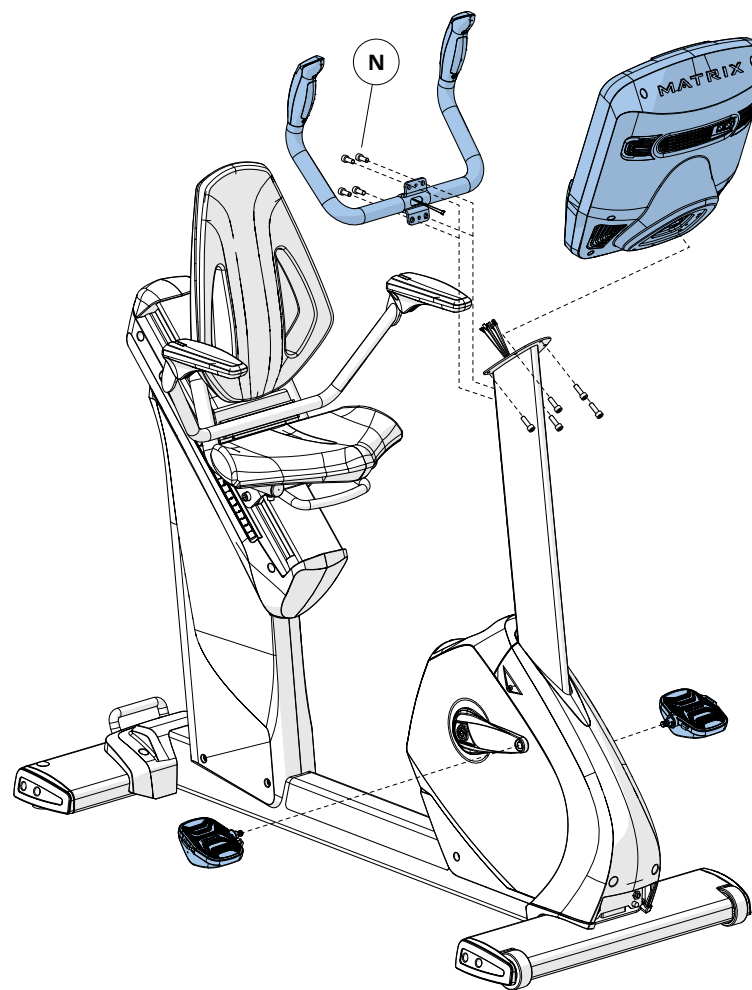


5

Pre-Installed Hardware

Description	Qty
N Bolt	4

ASSEMBLY COMPLETE!





BEFORE YOU BEGIN

LOCATION OF THE UNIT

Place the equipment on a level and stable surface away from direct sunlight. The intense UV light can cause discoloration on the plastics. Locate your equipment in an area with cool temperatures and low humidity. Please leave a clear zone on both sides of the equipment that is at least 24" (600 mm). This zone must be clear of any obstruction and provide the user a clear exit path from the machine. Do not place the equipment in any area that will block any vent or air openings. The equipment should not be located in a garage, covered patio, near water or outdoors.

LEVELING THE EQUIPMENT

The equipment should be level for optimum use. Once you have placed the equipment where you intend to use it, raise or lower one or both of the adjustable levelers located on the bottom of the frame. Use 6mm hex key through the access hole (shown below).

A carpenter's level is recommended.

NOTE: There are only two levelers on the equipment.

WARNING!

Our equipment is heavy, use care and additional help if necessary when moving. Failure to follow these instructions could result in injury.

POWER

If the equipment is powered by a power supply, the power must be plugged into the power jack, which is located in the front of the equipment near the stabilizer tube. Some equipment has a power switch, located next to the power jack. Make sure it is in the ON position. Unplug cord when not in use.

WARNING!

Never operate equipment if it has a damaged cord or plug, if it is not working properly, if it has been damaged, or immersed in water. Contact Customer Tech Support for examination and repair.

HYBRID SEAT HEIGHT

To adjust the seat height on the Hybrid Cycle, pull the orange lever under the seat and lower the seat to the lowest position, stand over the seat and grab the orange lever. Pull the lever and lift until the seat base makes contact with your pelvic bone.

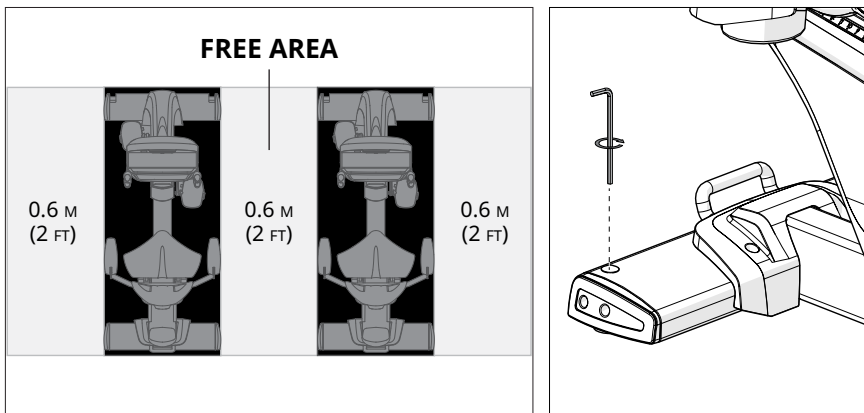
RECUMBENT SEAT HEIGHT

To adjust the seat height on the Recumbent Cycle, locate the orange lever under the seat before you mount the Cycle. Place your right hand on the orange adjustment handle under the seat. Place feet on the ground while seated and slide forward if needed. Place feet on pedals, gently lift lever under the seat. Using legs, slowly push and slide the seat up or down to desired position. Release lever and allow to lock into place.

UPRIGHT SEAT HEIGHT

To raise the seat height on the Upright Cycle, pull the seat upward. To lower the seat, locate the orange adjustment lever under the seat and pull the lever up to slide the seat down. Release lever and allow to lock into place.

The seat height adjusts from level 1 to 23. Do not raise the seat past level 23.





PROPER USAGE

To determine proper seat position, sit on the seat and position the ball of your foot on the center of the pedal. Your knee should bend slightly at the furthest pedal position. You should be able to pedal without locking your knees or shifting your weight from side to side. Adjust pedal straps to desired tightness.



USING THE HEART RATE FUNCTION

The heart rate function on this product is not a medical device. While heart rate grips can provide a relative estimation of your actual heart rate, they should not be relied on when accurate readings are necessary. Some people, including those in a cardiac rehab program, may benefit from using an alternate heart rate monitoring system like a chest or wrist strap. Various factors, including movement of the user, may affect the accuracy of your heart rate reading. The heart rate reading is intended only as an exercise aid in determining heart rate trends in general. Please consult your physician.

PULSE GRIPS

Place the palm of your hands directly on the grip pulse handlebars. Both hands must grip the bars for your heart rate to register. It takes 5 consecutive heart beats (15-20 seconds) for your heart rate to register. When gripping the pulse handlebars, do not grip tightly. Holding the grips tightly may elevate your blood pressure. Keep a loose, cupping hold. You may experience an erratic readout if consistently holding the grip pulse handlebars. Make sure to clean the pulse sensors to ensure proper contact can be maintained.

WIRELESS HEART RATE RECEIVER

When used in conjunction with a **wireless chest transmitter**, your heart rate can be transmitted wirelessly to the unit and displayed on the console.

Prior to wearing the wireless chest transmitter on your chest, moisten the two rubber electrodes with water. Center the chest strap just below the breast or pectoral muscles, directly over your sternum, with the logo facing out. NOTE: The chest strap must be tight and properly placed to receive an accurate and consistent readout. If the chest strap is too loose, or positioned improperly, you may receive an erratic or inconsistent heart rate readout.

WARNING!

Heart rate monitoring systems may be inaccurate. Over exercising may result in serious injury or death. If you feel faint, stop exercising immediately.



MAINTENANCE

1. Any and all part removal or replacement must be performed by a qualified service technician.
2. DO NOT use any equipment that is damaged and or has worn or broken parts. Use only replacement parts supplied by your country's local MATRIX dealer.
3. MAINTAIN LABELS AND NAMEPLATES: Do not remove labels for any reason. They contain important information. If unreadable or missing, contact your MATRIX dealer for a replacement.
4. MAINTAIN ALL EQUIPMENT: Preventative maintenance is the key to smooth operating equipment as well as keeping your liability to a minimum. Equipment needs to be inspected at regular intervals.
5. Ensure that any person(s) making adjustments or performing maintenance or repair of any kind is qualified to do so. MATRIX dealers will provide service and maintenance training at our corporate facility upon request.

WARNING

To remove power from the exercise cycle, the power cord must be disconnected from the wall outlet.

MAINTENANCE SCHEDULE

ACTION	FREQUENCY
Unplug the unit. Clean entire machine using water and a mild soap or other Matrix approved solution (cleaning agents should be alcohol and ammonia free).	DAILY
Inspect the power cord. If the power cord is damaged, contact Customer Tech Support.	DAILY
Make sure the power cord is not underneath the unit or in any other area where it can become pinched or cut during storage or use.	DAILY
Clean underneath the cycle, following these steps: <ul style="list-style-type: none"> • Turn off the cycle. • Move the cycle to a remote location. • Wipe or vacuum any dust particles or other objects that may have accumulated underneath the cycle. • Return the cycle to its previous position. 	WEEKLY
Inspect all assembly bolts and pedals on the machine for proper tightness.	MONTHLY
Clean any debris off of the seat guide rail.	MONTHLY
For 7xe consoles, enter service mode and select 'test'. Select 'touch calibration' and then select 'start'. Follow the on-screen prompts and touch the screen where indicated.	QUARTERLY



PRODUCT SPECIFICATIONS

	U7xi Upright Cycle	U7xe Upright Cycle	U5x Upright Cycle	U3xe Upright Cycle	U3x Upright Cycle
Max User Weight	182 kg / 400 lbs				
Assembled Weight	87.8 kg / 193.5 lbs	87.8 kg / 193.5 lbs	87.4 kg / 192.6 lbs	87.8 kg / 193.5 lbs	86.3 kg / 190.2 lbs
Shipping Weight	102 kg / 224.9 lbs	102 kg / 224.9 lbs	99.8 kg / 220 lbs	102 kg / 224.9 lbs	99.7 kg / 219.7 lbs
Assembled Dimensions (L x W x H)*	130.7 x 65.4 x 153.7 cm / 51.5" x 25.7" x 60.5"	130.7 x 65.4 x 153.7 cm / 51.5" x 25.7" x 60.5"	130.7 x 65.4 x 153.7 cm / 51.5" x 25.7" x 60.5"	130.7 x 65.4 x 153.7 cm / 51.5" x 25.7" x 60.5"	130.7 x 65.4 x 153.7 cm / 51.5" x 25.7" x 60.5"
	R7xi Recumbent Cycle	R7xe Recumbent Cycle	R5x Recumbent Cycle	R3xe Upright Cycle	R3x Recumbent Cycle
Max User Weight	182 kg / 400 lbs				
Assembled Weight	89 kg / 196.3 lbs	89 kg / 196.3 lbs	88.6 kg / 195.3 lbs	89 kg / 196.3 lbs	87.5 kg / 192.9 lbs
Shipping Weight	101.3 kg / 223.5 lbs	101.3 kg / 223.5 lbs	100.3 kg / 221 lbs	101.3 kg / 223.5 lbs	99.7 kg / 219 lbs
Assembled Dimensions (L x W x H)*	150.3 x 65.4 x 140 cm / 59.2" x 25.7" x 55.1"	150.3 x 65.4 x 140 cm / 59.2" x 25.7" x 55.1"	150.3 x 65.4 x 140 cm / 59.2" x 25.7" x 55.1"	130.7 x 65.4 x 153.7 cm / 51.5" x 25.7" x 60.5"	150.3 x 65.4 x 140 cm / 59.2" x 25.7" x 55.1"
	H7xi Hybrid Cycle	H7xe Hybrid Cycle	H5x Hybrid Cycle	H3xe Upright Cycle	H3x Hybrid Cycle
Max User Weight	182 kg / 400 lbs				
Assembled Weight	100 kg / 220 lbs	100 kg / 220 lbs	97.1 kg / 214 lbs	100 kg / 220 lbs	96.2 kg / 212 lbs
Shipping Weight	102 kg / 224.9 lbs	102 kg / 224.9 lbs	101 kg / 222 lbs	102 kg / 224.9 lbs	99.7 kg / 219 lbs
Assembled Dimensions (L x W x H)*	146.8 x 65.4 x 156.8 cm / 57.8" x 25.7" x 61.7"	146.8 x 65.4 x 156.8 cm / 57.8" x 25.7" x 61.7"	146.8 x 65.4 x 156.8 cm / 57.8" x 25.7" x 61.7"	130.7 x 65.4 x 153.7 cm / 51.5" x 25.7" x 60.5"	146.8 x 65.4 x 156.8 cm / 57.8" x 25.7" x 61.7"

* Ensure a minimum clearance width of 0.6 meters (24") for access to and passage around MATRIX equipment. Please note, 0.91 meters (36") is the ADA recommended clearance width for individuals in wheelchairs.

MATRIX